
Subject: [FIXED] Regarding Match of Track Id
Posted by [Shyam Kumar](#) on Tue, 29 Oct 2013 16:16:39 GMT
[View Forum Message](#) <> [Reply to Message](#)

Hi,

I want to access the entries for fToF only in simulation but I am not able to access the entries. I am using code:

```
//-----  
TFile* f = new TFile("sim_complete.root");  
TTree *t=(TTree *) f->Get("cbmsim") ;  
TClonesArray *ftof_array=new TClonesArray("PndFtofPoint");  
t->SetBranchAddresses("FtofPoint",&ftof_array);//Branch names  
  
for (Int_t k=0; k<ftof_array->GetEntriesFast(); k++)  
{  
PndFtofPoint* tofpoint = (PndFtofPoint*)ftof_array->At(k);  
cout<<"The entries in Ftof are"<< k<<endl;  
}  
//-----
```

Thank You

Subject: Re: Regarding Match of Track Id
Posted by [Stefano Spataro](#) on Tue, 29 Oct 2013 16:23:32 GMT
[View Forum Message](#) <> [Reply to Message](#)

If you take a look into this macro, you can see you forgot the event loop on the tree:

```
Int_t nEntries = t->GetEntriesFast();  
for (Int_t j=0; j<nEntries; j++)  
{  
t->GetEntry(j);  
  
for (Int_t k=0; k<ftof_array->GetEntriesFast(); k++)  
{  
PndFtofPoint* tofpoint = (PndFtofPoint*)ftof_array->At(k);  
cout<<"This is Ftof entry number " << k << endl;  
}  
}  
}
```

Subject: Re: Regarding Match of Track Id
Posted by [Shyam Kumar](#) on Tue, 29 Oct 2013 17:23:23 GMT
[View Forum Message](#) <> [Reply to Message](#)

Hi Stefano,

Thank you for reply I have a question that when I run the above code I have the output below. Now for total entries I have to sum these all numbers or I have to consider every entry number as 1 entry.

This is Ftof entry number 3
This is Ftof entry number 1
This is Ftof entry number 2
This is Ftof entry number 3
This is Ftof entry number 4
This is Ftof entry number 5
This is Ftof entry number 6
This is Ftof entry number 7
This is Ftof entry number 8
This is Ftof entry number 9

Subject: Re: Regarding Match of Track Id
Posted by [Stefano Spataro](#) on Tue, 29 Oct 2013 19:21:17 GMT
[View Forum Message](#) <> [Reply to Message](#)

That is the loop over the ftof hits.
If you want to have the sum per event, then it is enough:

```
Int_t counts = ftof_array->GetEntriesFast();
```

Subject: Re: Regarding Match of Track Id
Posted by [Shyam Kumar](#) on Fri, 01 Nov 2013 14:22:40 GMT
[View Forum Message](#) <> [Reply to Message](#)

Hi Stefano,

I am matching the track Id for start detector and Ftof, I have a doubt that for every entry of tree I get around 4 or 5 track id for start and around 2 or 3 for Ftof. My question is I have to match the track id for both detectors for every entry of tree one by one or I have to store all the track id corresponding to both detector in two different array for all the entry in tree then in the last I have to match them.

Subject: Re: Regarding Match of Track Id
Posted by [Stefano Spataro](#) on Fri, 01 Nov 2013 14:33:14 GMT
[View Forum Message](#) <> [Reply to Message](#)

The best way would be to loop over the MCTrack array, you select only the primary particles (GetMotherID()==-1), and for each MCTrack ID you associate the point in the start and the point in the ftof. In the case you have more than one point for each track IF, mabe you could store also the multiplicity.

Or maybe you define a new TObjArray (or maybe a vector) storing all the Points (or maybe the indices) correlated to the same track id.

Subject: Re: Regarding Match of Track Id
Posted by [Shyam Kumar](#) on Fri, 01 Nov 2013 14:56:24 GMT
[View Forum Message](#) <> [Reply to Message](#)

Thank You for reply

I have tried to use mc_array but the entries in MC Track are 5742300 that will take longer time to match but in start and ftof i have entries 19185 and 10340 respectively That is the reason I have choose array to store track id.

Subject: Re: Regarding Match of Track Id
Posted by [StefanoSpataro](#) on Fri, 01 Nov 2013 15:03:24 GMT
[View Forum Message](#) <> [Reply to Message](#)

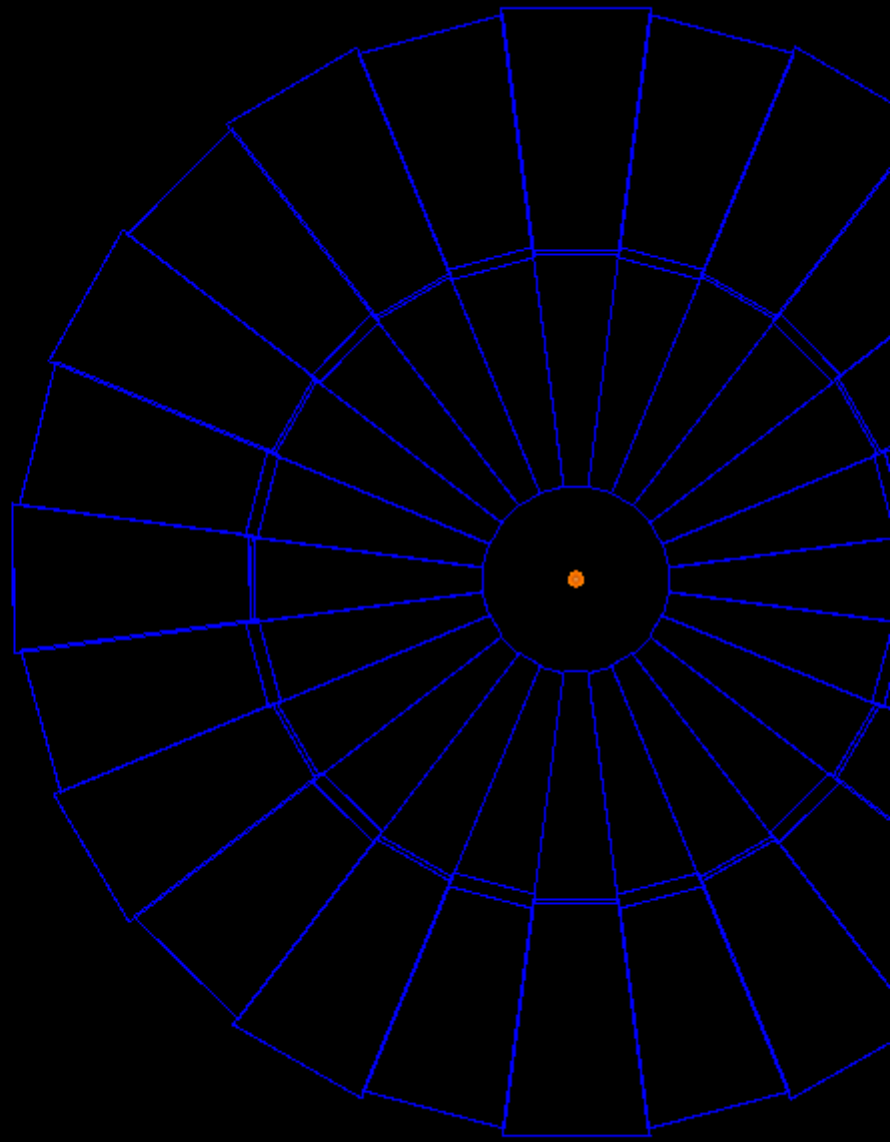
Which kind of events do you have, with a so high number of points in the ftof and start? I believe there should be something wrong
Could you please put your package and amcros somewhere in the development branch, so that I can take a look? (but next week)

Subject: Re: Regarding Match of Track Id
Posted by [Shyam Kumar](#) on Fri, 01 Nov 2013 15:22:50 GMT
[View Forum Message](#) <> [Reply to Message](#)

I am using the macro/run/sim_complete.C for 1 GeV 20000 pion with multiplicity 5 by box generator. I am using the lambda disk Geometry as start detector. I am attaching the plot and picture. I have not changed anything in sim_complete.C just use box generator and mom=1GeV.

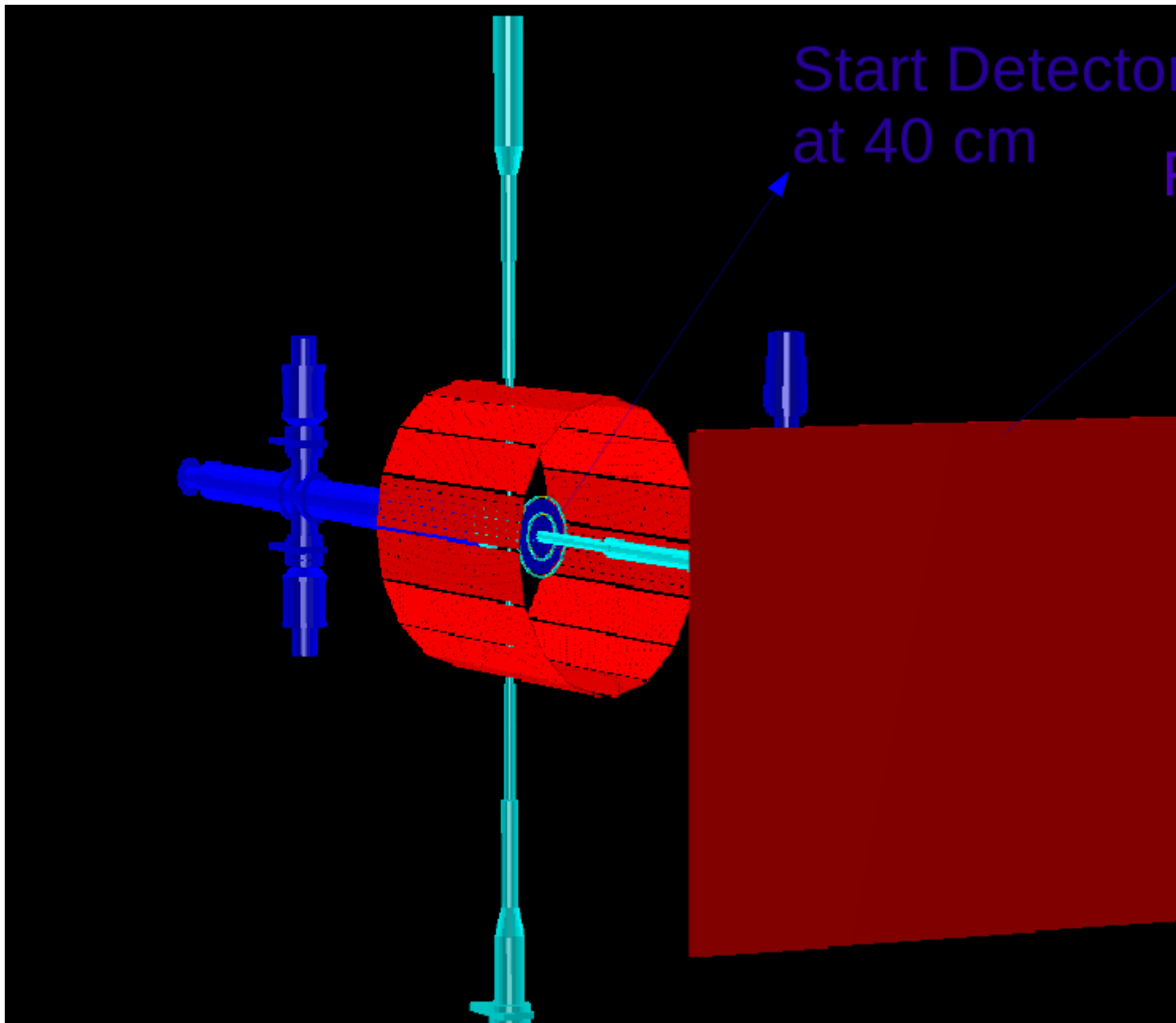
File Attachments

- 1) [MCTrack.ps](#), downloaded 354 times
 - 2) [start6.png](#), downloaded 774 times
-



X 13

3) [startftof.png](#), downloaded 748 times



Subject: Re: Regarding Match of Track Id

Posted by [Stefano Spataro](#) on Fri, 01 Nov 2013 15:28:39 GMT

[View Forum Message](#) <> [Reply to Message](#)

Again, MCTrack is fine, but if you select ONLY the primary particles, where `GetMotherID() == -1`, you should see many less particles in all the systems. I believe you don't want to reconstruct secondary particles.

Subject: Re: Regarding Match of Track Id

Posted by [Shyam Kumar](#) on Fri, 01 Nov 2013 15:35:47 GMT

[View Forum Message](#) <> [Reply to Message](#)

Thank you for reply, I will try the way you have suggested.
